

### PRODUCT DESCRIPTION

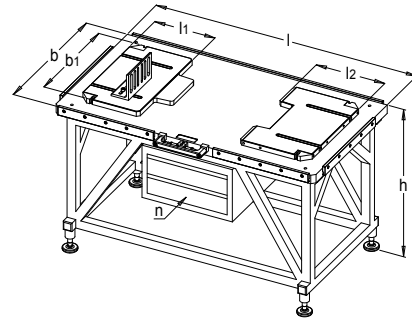
» With stand and tool cabinet

### MATERIAL

» 1.1730

### INCLUDED IN THE DELIVERY

- » 1 VMM 4/1/400 High-efficiency multi oil
- » 1 V 22060/1000 copper hammer
- » 2 H 40605/300 lever tools
- » 4 E 1270/16 Eye bolts
- » 1 spirit level MNV 1000/200



n <sup>1)</sup>	max. kg <sup>2)</sup>	p <sup>3)</sup>	b1	l1	l2	h	b	l	No.	EUR
2	3000	6	346	266	296	850	496	<b>1156</b>	H 4062/496/1156	< >
2	3000	6	596	346	396	850	796	<b>1496</b>	H 4062/796/1496	< >
1	5000	8	796	466	496	660	996	<b>1846</b>	H 4062/996/1846	< >

1) n: number of drawers

2) max. kg: maximum load capacity

3) p: working pressure



Technical Tips on the subject "Assembly table" at [www.meusburger.com/assembly-table](http://www.meusburger.com/assembly-table)