

# neusbürger

Standards for your success.

## ASSEMBLY TABLE USER MANUAL



### 1. User instructions:

#### 1.1. Purpose and validity of document:

This document contains the information that is necessary for the proper use of the products described therein. It is intended for use by technically qualified personnel. Qualified personnel are persons who, by virtue of their training, experience and instruction, in conjunction with their knowledge regarding the relevant standards, provisions, accident prevention regulations and operating conditions, have been authorised by the Plant Safety Officer to carry out the required activities in order to ensure that potential hazards are recognized and avoided.

#### 1.2. Visual representation of safety instructions:

**Wear safety footwear:**



**Risk of crushing!**



**Trip hazard:**



### 2. General safety instructions:

#### 2.1. Intended use:

The assembly table is used in order to facilitate the installation and maintenance work on moulders moulds, die cast and moulds and punching tools. It is only intended for moulds and tools that possess sufficient stability by virtue of the ratio of their footprint-to-height ratio. Proper use of the assembly table also includes compliance with the instructions regarding safety, operation, maintenance and servicing which form part of this user manual.

#### 2.2. Technical specifications:

Description	Unit	H 4062/496/1156	H 4062/796/1496	H 4062/996/1846
Dimensions (w x l x h)	[mm]	526 x 1186 x 860	826 x 1526 x 880	1026 x 1876 x 700
Unladen weight	[kg]	320	700	1200
Maximum connection pressure	[bar]	6	6	8
Maximum load on the table	[kg]	3000	3000	5000
Maximum load on the moving plates (per plate)	[kg]	2000	2000	2500
Maximum tool size	[mm]	Width 500 Height 1000	Width 800 Height 1000	Width 900 Height 1300
Maximum tool overhang over moving plates	[mm]	80 on all sides	100 on all sides	50 on all sides

## 2.3. Foreseeable misuse:

If incorrectly assembled (in a non-horizontal position), stability is not guaranteed under high load conditions (see 5). Large mould halves which, as a result of their footprint-to-height ratio, do not possess sufficient stability, must be secured using the anti-tipping brackets supplied (see 3.2). Make sure that the underside of the mould or die half rests completely on the support plate so that there is no point load. The maximum tool size and the maximum weight must not be exceeded. The maximum tool overhang must be adhered to, in order to prevent the tool Support plate from tipping. The assembly table must never be left unsupervised while switched on.

## 2.4. Residual risks:

Please be aware of the trip hazard caused by the protruding feet of the assembly table with base frame. In users must be aware of the risk that their fingers may be crushed by the raised edges when the moving plates are in operation.

## 2.5. Duties of the operator:

The operator is obliged to instruct operating personnel with regard to the safe and proper handling, maintenance, servicing and appropriate operation of the assembly table. The operator must prove that the assembly table has been erected in accordance with the instructions.

## 2.6. Duties of the user:

Any person operating the assembly table must have read this user manual. Proper protective clothing must be worn and the safety instructions must be adhered to.

## 2.7. User qualifications:

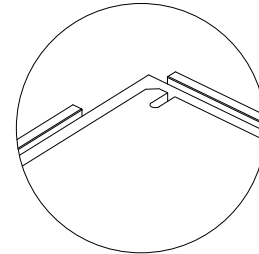
The assembly table must only be used by specialised personnel qualified who have read the user manual. Trainees must operate the assembly table under supervision only.

## 2.8. Personal protective equipment:

All users are obliged to wear protective gloves and class 2 or higher safety footwear (non-slip soles and protective toecaps).

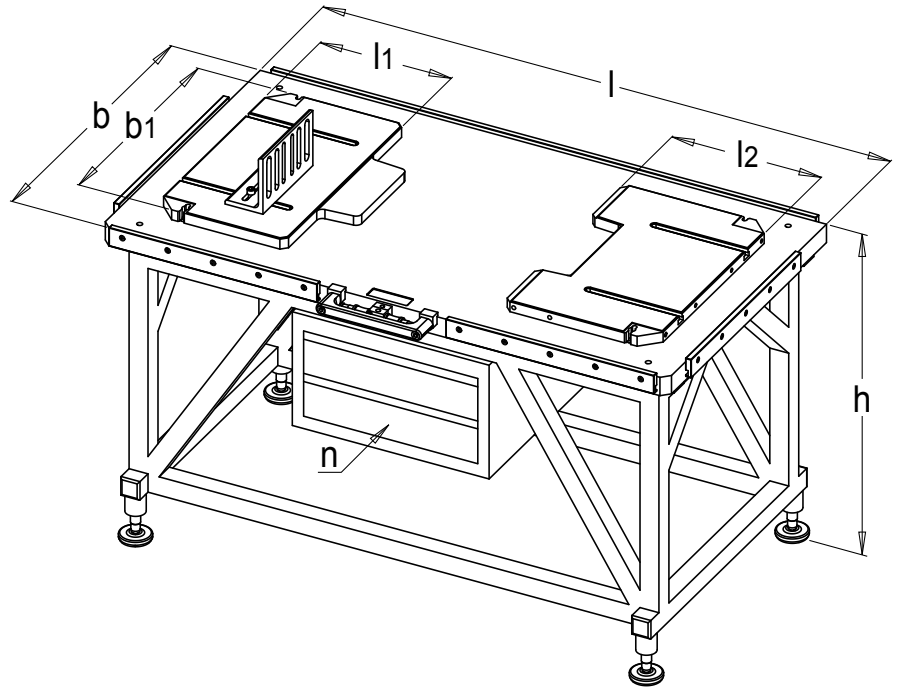
## 2.9. Safety and protection devices:

In order to prevent the slippage of the Support plate beyond the edge of the table surface, raised edges have been fitted around the entire edge of the table. Checks should be carried out on a regular basis to make sure these are still firmly attached.



## 3. Description of machine:

### 3.1. Versions



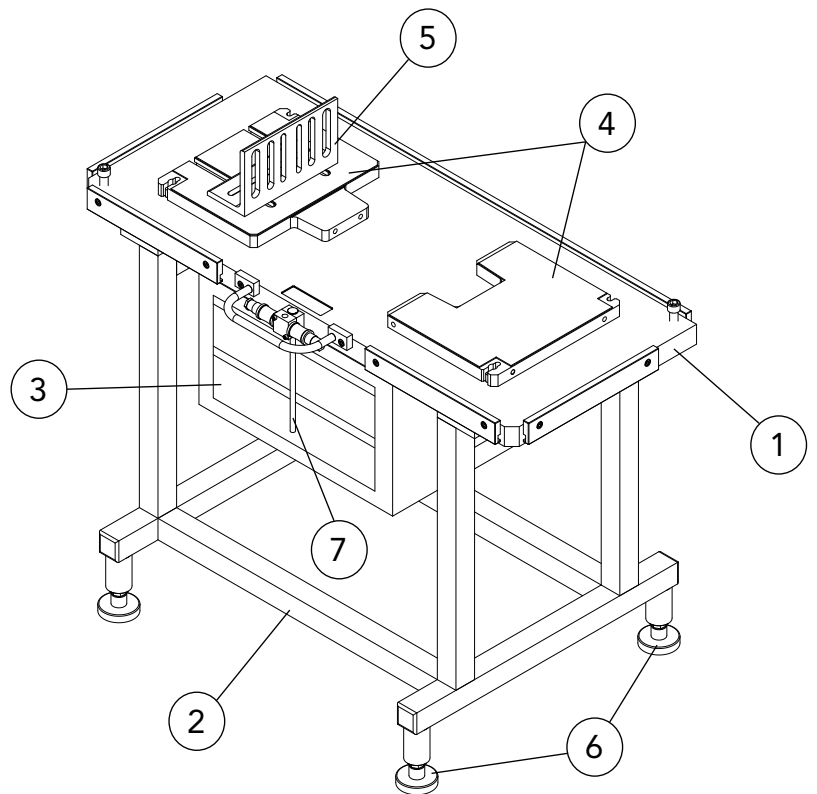
Mat.: 1.1730



n*	max. kg*	p* [bar]	b1	l1	l2	h	b	l	No.
2	3000	6	346	266	296	850	496	1156	H 4062/496/1156
2			596	346	396		796	1496	H 4062/796/1496
1	5000	8	796	466	496	660	996	1846	H 4062/996/1846

\* n) number of drawers | max. kg) maximum load capacity | p) operating pressure

### 3.2. Sub-assemblies and components:



1. Base-plate fitted
2. Base frame
3. Tool cabinet
4. Moveable plates
5. Anti-tilt brackets
6. Adjustable feet
7. Securing bolt for tool cabinet

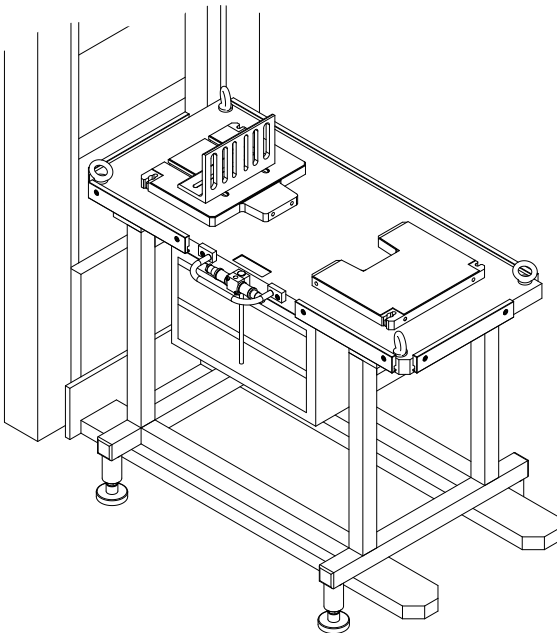
### 3.3. Accessories:



- 4 eye bolts 2 fixing brackets
- 2 fixing brackets
- Copper mallet
- Multi oil VMM 4
- Spirit level

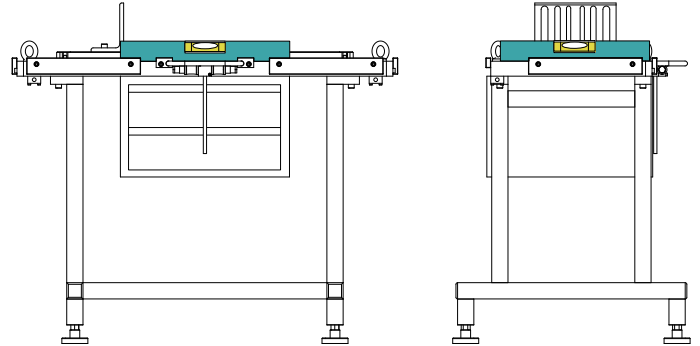
### 4. Transportation:

The assembly table can be transported using a forklift truck, as the base frame has been configured in such a way that the forklift truck can drive underneath the table without hindrance. The table can also be lifted by means of the eye bolts supplied. Transportation by crane (eye bolts) must only take place if the moveable plates have been removed.



### 5. Installation and commissioning:

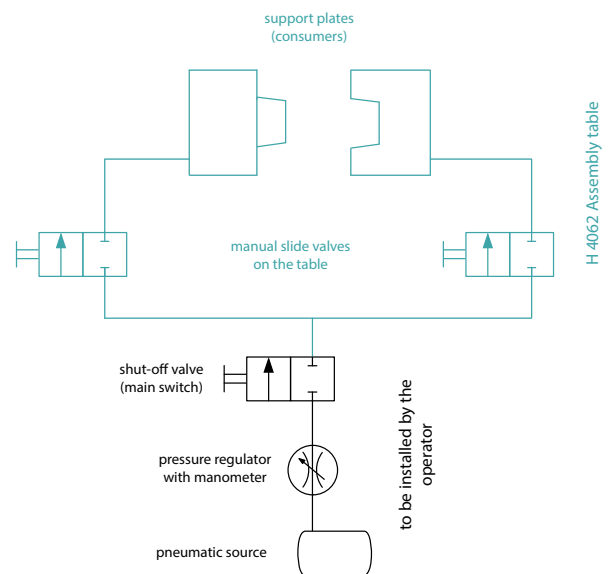
The assembly table must be placed so that there is at least 0.5 m of free space on all sides. In order to guarantee the stability of the table, it must be placed on a firm surface in a horizontal position to be verified using the spirit level supplied. The feet of the table can be adjusted for this purpose.



In order to avoid exceeding the maximum air pressure, a pressure regulator (not included in the delivery) must be installed upstream of the compressed air connector of the assembly table, before commissioning. In order to ensure that the compressed air supply can be shut off, a stop-cock (not included in the delivery) must be fitted upstream of the compressed air connector of the assembly table.

#### 5.1. Compressed air supply/pneumatics connection plan:

The connector to the assembly table is a coupler with d1:9.

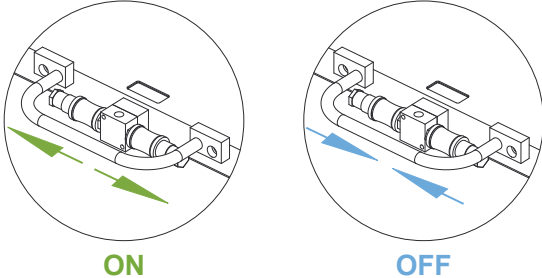




## 6. Operation (Normal operation):

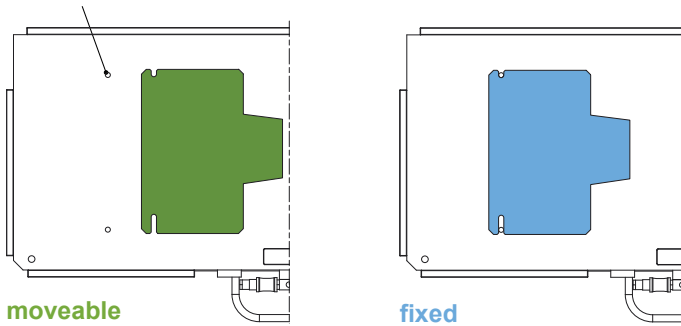
### 6.1. Operating and display elements:

Both support plates of the mould can be switched on and off separately using the manual slide valves. In order to avoid any undesirable movements, always activate only one support plate of the mould and once the movement has been completed, immediately switch it off again.



A support plate-half can be additionally secured by means of two dowel pins incorporated into the table's surface. Any mould support plate that are not in use must always be secured.

Dowel pin E 1300



### 6.2. Control and operation:

#### Positioning the mould:

The mould halves should be positioned as centrally as possible on the support plates. This is the only way to ensure optimal air flow so the plates move.

#### Switching the machine on:

In order to switch on the machine, first of all, the shut-off valve must be opened. The manual slide valves can then be used to control each plate individually.

#### Switching the machine off:

In order to switch off the machine, both manual slide valves must be closed and then the main switch turned off. This avoids any unwanted untimely movement of the board caused by turning the shut-off valve.

#### Emergency shut-down:

In an emergency, the shut-off valve must be turned off immediately so as to cut off the compressed air supply to the entire system.

## 7. Maintenance, cleaning, servicing:

Before each use it must be checked that the mechanical operating equipment is in a proper and functional condition. The schedule for these checks must be set in such a way that any faults that arise can be detected in good time and any damage immediately rectified. The air hoses must be checked daily for possible damage. In addition, the table's surface, raised edges and support plate must be oiled regularly, otherwise they will be subject to severe corrosion. The raised edges must be checked regularly to make sure that they are firmly attached.

### 7.1. Auxiliaries and consumables:

Meusburger Multi oil VMM 4 for the regular oiling of corroding parts.

### 7.2. Spare and wear parts:

Spare parts may simply be ordered from our sales department. Compressed air hoses should be renewed after no more than 6 years.

## 8. Troubleshooting and fault correction:

In the event of damage to the compressed air circuit, the circuit must be systematically checked from the pneumatic source right through to the support plate.

## 9. Decommissioning:

In the event of temporary shutdown or storage, the entire assembly table must be oiled, otherwise it will be subject to severe corrosion. It should be stored in a dry place.

## 10. Disassembly, dismantling:

As the assembly table is made of iron and plastics only, it may be disposed of via the conventional system of separated rubbish disposal. Assembly tables that have reached the end of their service life may be returned to Meusburger Georg GmbH & Co KG for disposal, free of charge.

## 11. EC Declaration of Conformity:

As the manufacturers of this machine, we hereby declare that the machine described below complies with the stated Directives and Standards.

Manufacturer: Meusburger Georg GmbH & Co KG  
Kesselstr. 42 | 6960 Wolfurt | Austria

Authorised party in relation to the technical documentation: Meusburger Georg GmbH & Co KG  
Meusburger Guntram  
Kesselstr. 42 | 6960 Wolfurt | Austria

Designation of machine: (Commercial name) Air-cushioned assembly table

Model, type: H 4062

Guidelines: 2006/42/EC Machinery Directive

### Standards:

EN ISO 12100 Safety of machinery – General principles for design – Risk assessment and risk reduction

EN ISO 4414 Pneumatic fluid power – General rules and safety requirements for systems and their components

EN ISO 13849-1 Safety of machinery – Safety-related parts of control systems Part 1: General principles for design

EN ISO 13857 Safety of machinery – Safety distances to prevent hazard zones being reached by upper and lower limb

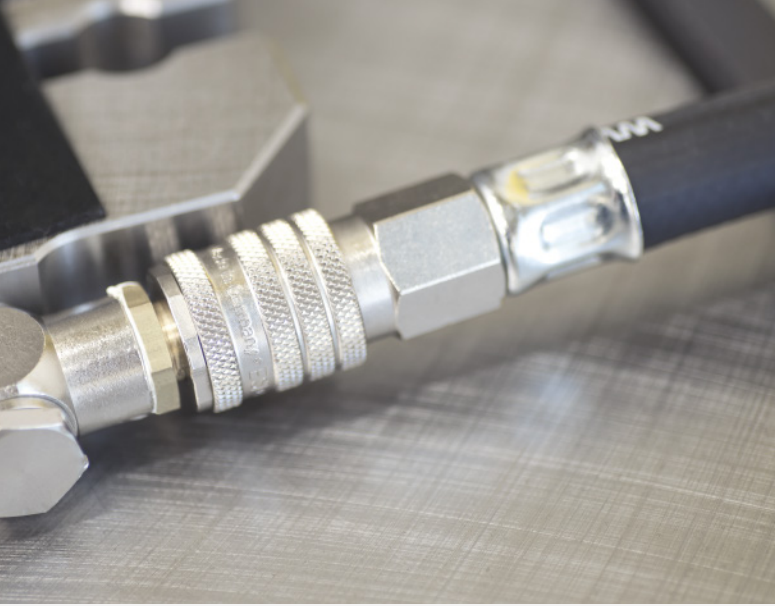
ÖNORM EN 842 Safety of machinery – Visual danger signals – General requirements, design and testing

**meusburger**  
Meusburger Georg GmbH & Co KG  
Kesselstr. 42, A-6960 Wolfurt  
Tel. 05574 / 6706-0

Wolfurt, December 2022

Place, date

Managing Director Meusburger Guntram



FULL-RANGE  
SUPPLIER



CONTINUOUS  
AVAILABILITY



CONSISTENT  
HIGH QUALITY



ONLINE  
SERVICE



PERSONAL  
SUPPORT

## ORDERING – THE WAY YOU LIKE IT BEST!



**Web shop**  
[www.meusburger.com](http://www.meusburger.com)



**Offline shop**  
Install and get started!



**Phone**  
+43 5574 6706-0



**Email**  
[sales@meusburger.com](mailto:sales@meusburger.com)

©2023 Meusburger Georg GmbH & Co KG. All rights reserved. Any use, including but not limited to publication, copying, distribution, reproduction and/or modification, even in part, is prohibited without prior written authorisation of Meusburger Georg GmbH & Co KG. Technical changes and printing or other errors reserved.

V1-08/23-EN