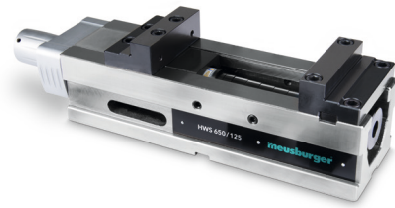
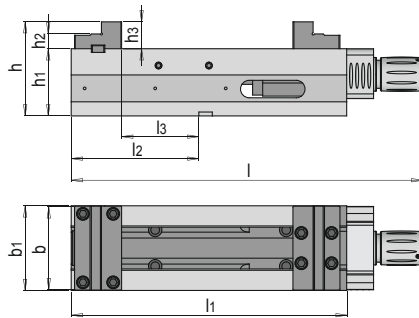


PRODUCT DESCRIPTION

- » Version R with regulator for presetting the clamping force
- » Compact and stable body from GGG-70 which maintains its total length
- » Easy to clean through fully enclosed spindle and additional side window
- » Accuracy of 0.01 mm in clamping repeatability

INCLUDED IN THE DELIVERY

- » HWS 5660 Clamping shoes (4 Pcs.)
- » HWS 5670 Handle



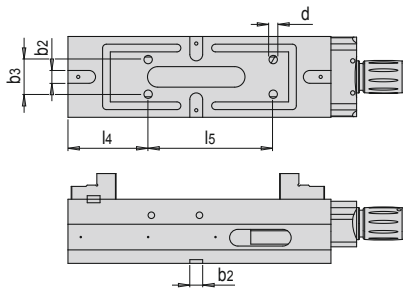
R ¹⁾	Wt.	b1	h	h1	h2	h3	l	l1	l2	l3	SK ²⁾	b	No.	EUR
No	35 kg	126	140	100	22	40	524	410	190	115	40	125	HWS 650/125	<>
Yes	35 kg	126	140	100	22	40	551	410	190	115	40	125	HWS 650R/125	<>
No	61 kg	161	165	115	30	50	639	530	230	123	50	160	HWS 650/160	<>
Yes	61 kg	161	165	115	30	50	666	530	230	123	50	160	HWS 650R/160	<>

1) R: Regulator for presetting the clamping force

2) SK: clamping force [kN]

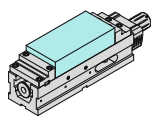
INSTALLATION EXAMPLE FOR HWS 650 / HWS 650R

- » Mounting with screw hole

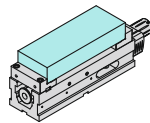


No.	b	b2	b3	d	l4	l5
HWS 650/125	125	20	54	13	125	195
HWS 650R/125	125	20	54	13	125	195
HWS 650/160	160	20	68	13	140	300
HWS 650R/160	160	20	68	13	140	300

- » Clamping possibilities



Clamping field 1



Clamping field 2

SF 1 ¹⁾	SF 2 ¹⁾
0-254	80-334
0-254	80-334
0-310	120-430
0-310	120-430

1) Clamping field