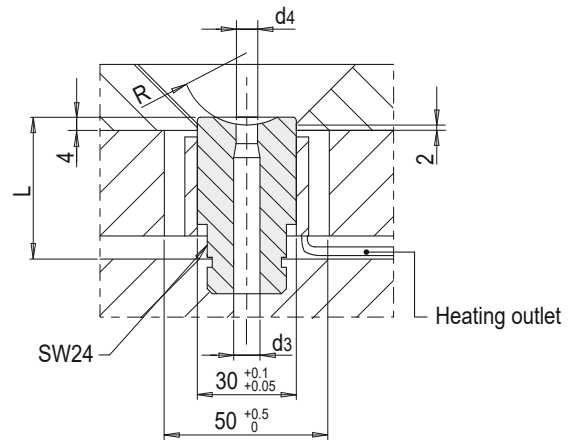


EH 6000 STANDARDISED HOT RUNNER SYSTEM

ACCESSORIES

HOT RUNNER SPRUE BUSH EH 6400

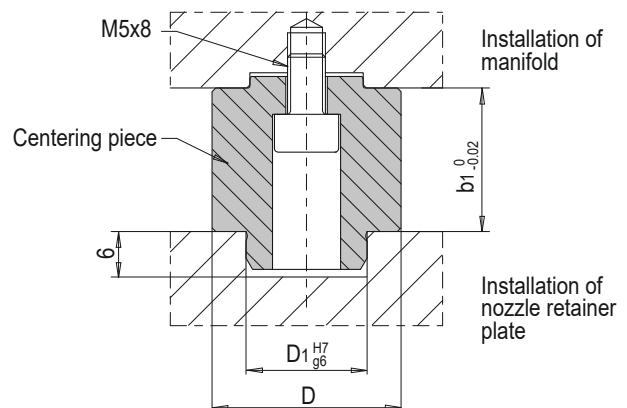
- » The sprue bushes are available from stock in standard lengths with matching heaters.
- » Variable lengths $L = 43-150$ mm as well as radii are optionally available.
- » Compatible heaters are also available from stock in different lengths.



No.	Nozzle/ manifold series	d3	d4	R	L	Heater with integrated thermocouple	
						Heater with integrated thermocouple Fe-CuNi (type J) 230 V, AS: 2000 mm Ø30x30/275W	No.
EH 6400	19	6	3.5	0/15.5/40	43/53	Ø30x30/275W	EH 5020/30 x 30/275W
	27	8	6.5				
	37	12	8				
		14					

CENTERING PIECE EH 6200

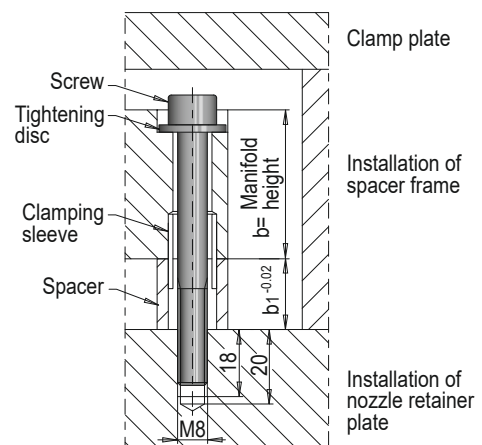
- » The centering piece positions the manifold in the mould centre opposite the sprue bush
- » The variation depends on the nozzle series



No.	D	D1	b1	Nozzle series
EH 6200/25 x 19	25	16	19	EH 4100/19
				EH 4100/27
EH 6200/32 x 19	32			EH 4100/37

DISTANCE SCREWING SET TITANIUM EH 6214

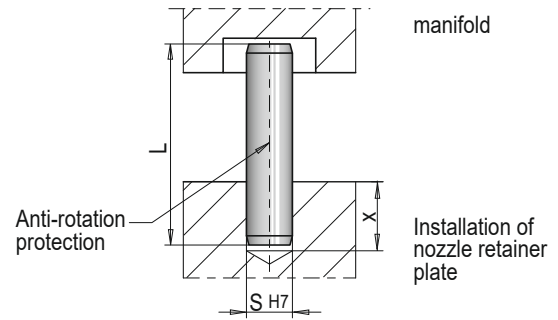
- » Hexagon socket screw M8
- » Clamping sleeve, tightening disc, distance sleeve, screw
- » EH 6214/ 8/ 34/19x19 >19/27 Serie M8x65 b=40-6
- » EH 6214/ 8/ 44/19x19 >37 Serie M8x75 b=50-6



ANTI-ROTATION PROTECTION E 1300

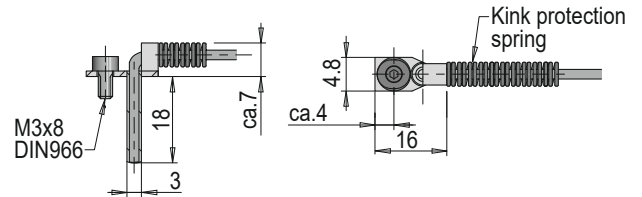
- » DIN EN ISO 8734
- » X=L-6-b1+2

Anti-rotation protection ØS	No.	L	x
6	E 1300/6 x 36	36	13



90° BENT THERMOCOUPLE EH 5200

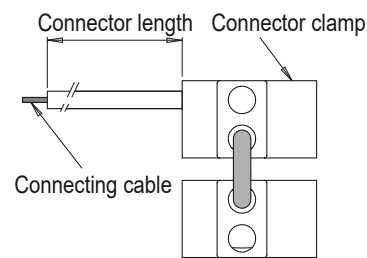
- » Fe-CuNi (Typ J)
- » Thermocouple with kink protection spring
- » No.: EH 5200/3 x 30/5000/450
- » Connector length: 5000 mm



CONNECTOR CLAMP SET FOR PIPE HEATER EH 5220

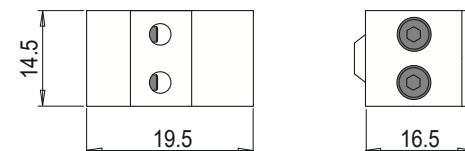
Variants with heating connection are supplied with a standard connection length of 2500 mm.

Connector set (mm)	No.
2500	EH 5220/2/2500



Connector clamp

- » This allows a screwable connection of the electrical supply lines to any pipe heater
- » Two clamping options are provided on each connector clamp, so that by attaching a 'bridge' the pipe heater can be connected in parallel directly at the heating outlet.



Connecting cable

The required quantity is determined when ordering.

Standard:

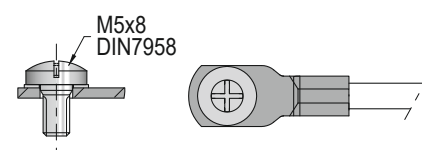
- » Pure nickel cable 2.5 mm²
- » Glass fibre insulation, 4-fold up to 300 °C

Optional: ¹⁾

- » with Teflon insulation, 2-fold up to 260 °C

GROUNDING CABLE FOR HOT RUNNER MANIFOLD EH 5230

- » Connector length 2500 mm
- » No.: EH 5230/2500



¹⁾ Optional: can only be ordered customised

TECHNICAL SPECIFICATIONS:

- » Externally heated 230V AC
- » Connecting cables are temperature resistant up to 200 °C
- » Thermocouple type J, Fe-CuNi, DIN EN 43722
- » Cable length 2000 mm
- » Cable length of single nozzle adapter heater 1500 mm

- » Maximum injection pressure: 1800 bar
- » Linear expansion of the nozzle is already considered for $\Delta T=220$ °C
- » The mould must be grounded. If the nozzle is operated outside the mould, then the nozzle must be grounded.
- » Provide temperature regulation (heating): around the nozzle tip and opposite the gating point